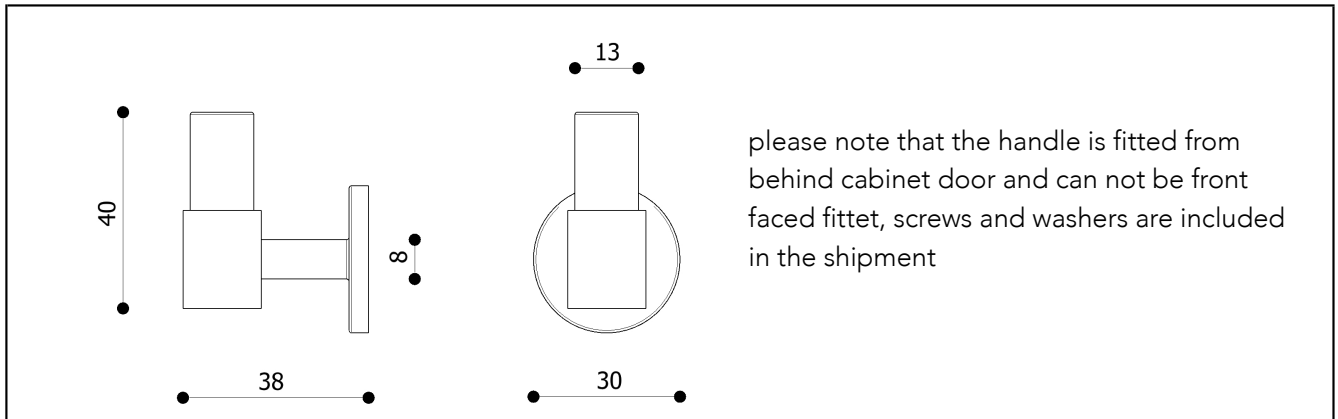
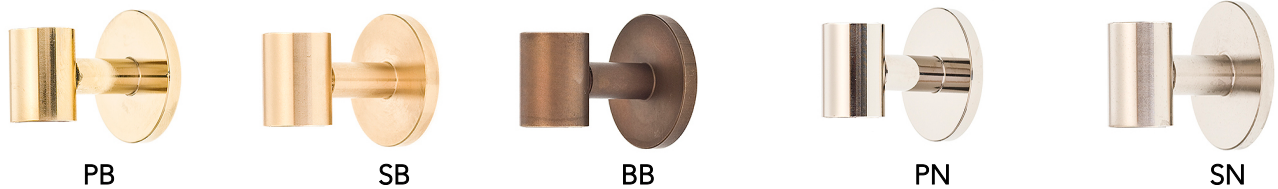


THE HOOK

(HO) Bearing placed at the end of handlebar
model 40mm

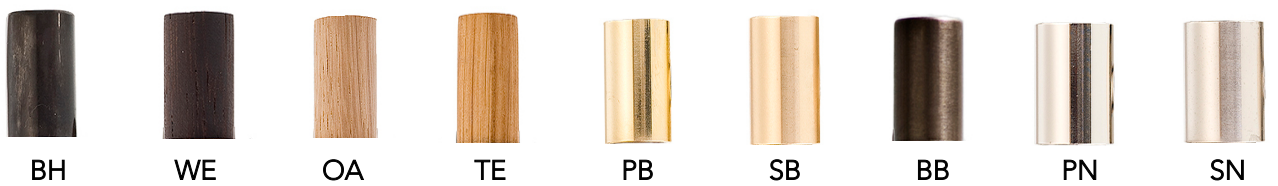


BEARINGS



POLISHED BRASS (PB) / SATIN BRASS (SB) / BURNISHED BRASS (BB) / POLISHED NICKEL (PN) / SATIN NICKEL (SN)

HANDLE BARS (Ø13mm)



BLACK HORN (BH) / WENGE (WE) / TEAK (TE) / OAK (OA) / POLISHED BRAS (PB) / SATIN BRASS (SB) / BURNISHED BRASS (BB) / POLISHED NICKEL (PN) / SATIN NICKEL (SN)

CARE INSTRUCTIONS

OUR PRODUCTS ARE HANDMADE AND FROM NATURAL MATERIALS THUS VARIATIONS MAY OCCUR - IT IS A PART OF THE UNIQUENESS OF PRODUCTS FROM THE BRANDT ©

AGING IS A PART OF THE NATURAL PROCESS, THEREFORE PLEASE HANDLE AND MAINTAIN YOUR PRODUCT WITH CARE. WIPE WITH A DAMP CLOTH AND DO NOT USE ANY CHEMICALS.