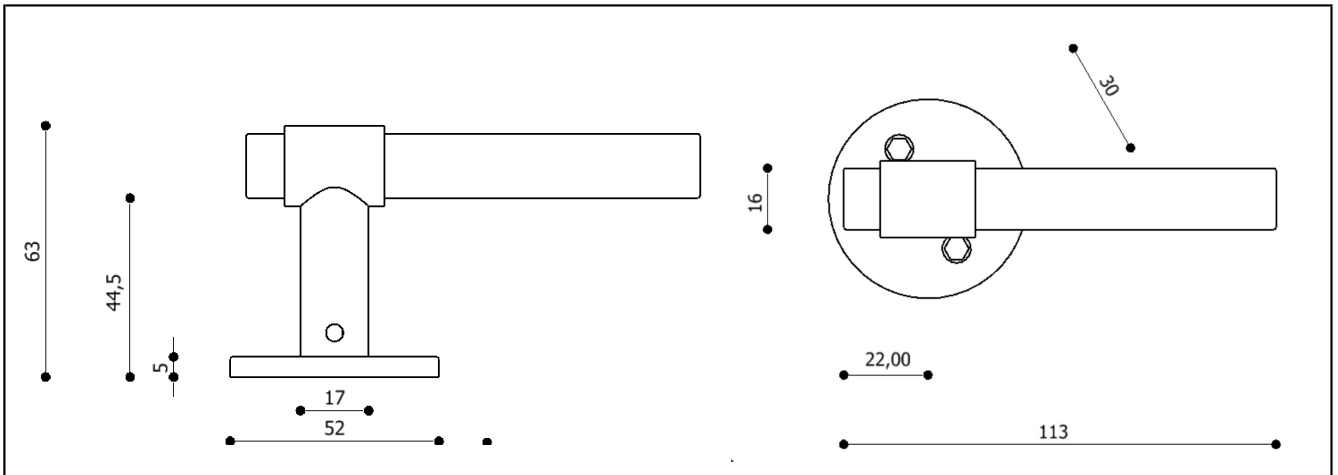


# THE DOOR

(DO) Bearing placed at the side of the handlebar  
**model Ø16 x 113mm**



## BEARINGS



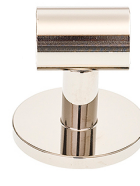
PB



SB



BB



PN



SN

POLISHED BRASS (PB) / SATIN BRASS (SB) / BURNISHED BRASS (BB) / POLISHED NICKEL (PN) / SATIN NICKEL (SN)

## HANDLE BARS (Ø16mm)



BH



WE



OA



TE



PB



SB



BB



PN



SN

BLACK HORN (BH) / WENGE (WE) / TEAK (TE) / OAK (OA) / POLISHED BRAS (PB) / SATIN BRASS (SB) BURNISHED BRASS (BB) / POLISHED NICKEL (PN) / SATIN NICKEL (SN)

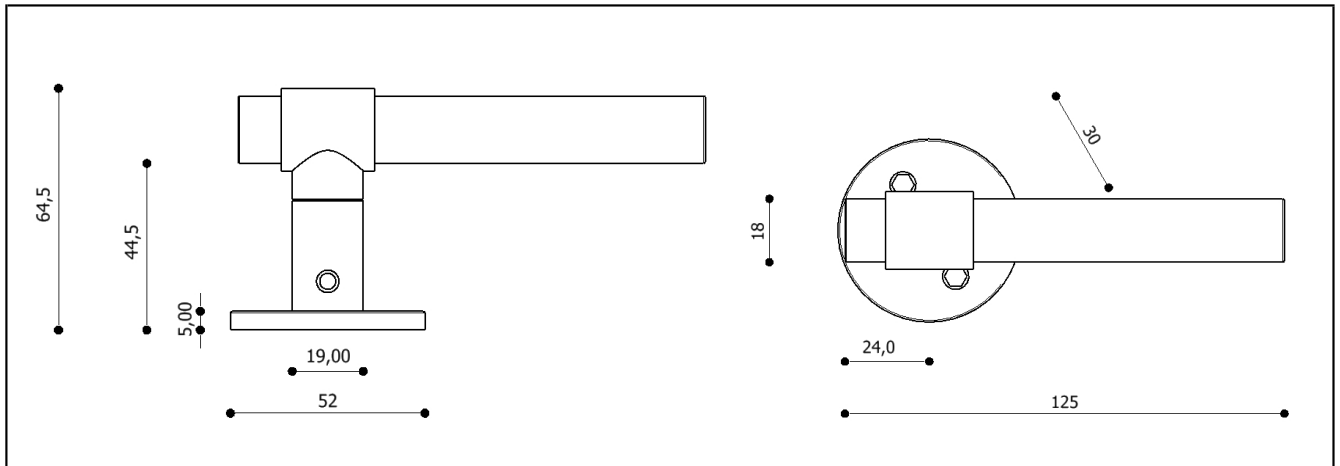
## CARE INSTRUCTIONS

OUR PRODUCTS ARE HANDMADE AND FROM NATURAL MATERIALS THIS VARIATIONS MAY OCCUR - IT IS A PART OF THE UNIQUENESS OF PRODUCTS FROM THE BRANDT ©

AGING IS A PART OF THE NATURAL PROCESS, THEREFORE PLEASE HANDLE AND MAINTAIN YOUR PRODUCT WITH CARE. WIPE WITH A DAMP CLOTH AND DO NOT USE ANY CHEMICALS.

## THE DOOR

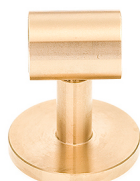
(DO) Bearing placed at the side of the handlebar  
**model Ø18 x 125mm**



### BEARINGS



PB



SB



BB



PN



SN

POLISHED BRASS (PB) / SATIN BRASS (SB) / BURNISHED BRASS (BB) / POLISHED NICKEL (PN) / SATIN NICKEL (SN)

### HANDLE BARS (Ø18mm)



BH



WE



OA



TE



PB



SB



BB



PN



SN

BLACK HORN (BH) / WENGE (WE) / TEAK (TE) / OAK (OA) / POLISHED BRAS (PB) / SATIN BRASS (SB) BURNISHED BRASS (BB)  
 / POLISHED NICKEL (PN) / SATIN NICKEL (SN)

### CARE INSTRUCTIONS

OUR PRODUCTS ARE HANDMADE AND FROM NATURAL MATERIALS THUS VARIATIONS MAY OCCUR  
 - IT IS A PART OF THE UNIQUENESS OF PRODUCTS FROM THE BRANDT ©

AGING IS A PART OF THE NATURAL PROCESS, THEREFORE PLEASE HANDLE AND MAINTAIN YOUR  
 PRODUCT WITH CARE. WIPE WITH A DAMP CLOTH AND DO NOT USE ANY CHEMICALS.